



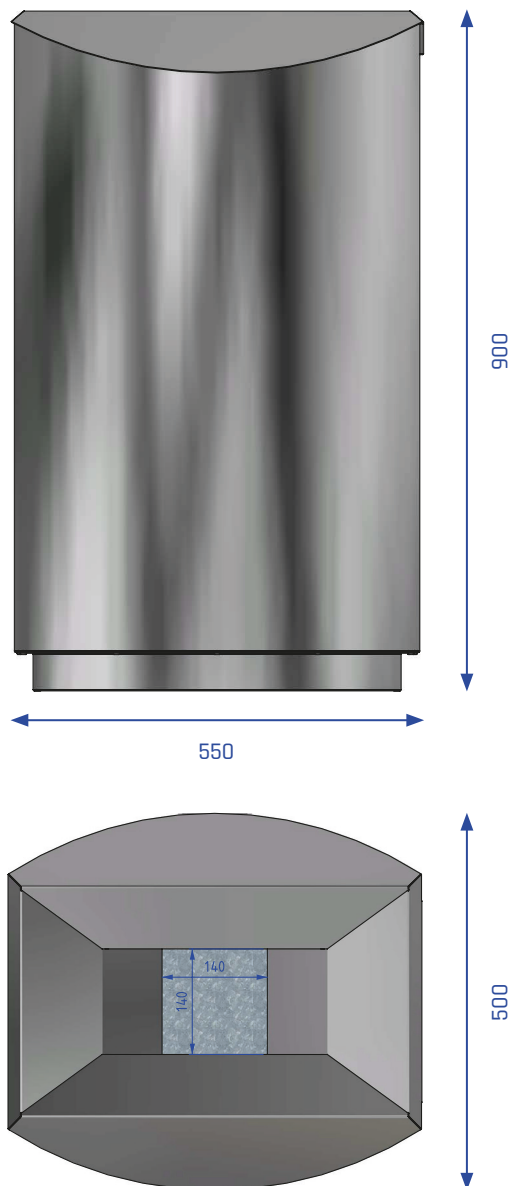
TEMPTATION

Single bin FFJ1-100 Liter

| | |
|---------------------------|---|
| Volume | 100 Liter |
| Compartments | 1 |
| Casing material | 1.4301 (AISI 304) stainless steel, brushed |
| Casing material thickness | 1,5 mm |
| Inner liner material | galvanized steel leakproof |
| Width | 550 mm |
| Depth | 500 mm |
| Height | 905 mm |
| Weight | 38 kg |
| Slot size | 140 x 140 mm |
| Accessories / Options | see FEATURES |

TEMPTATION

Single bin FFJ1-100 Liter



Description: Self-supporting, curved fronts and flat side panels made of stainless steel, secured with an internal construction of galvanized steel, provide great stability. The top's funnel-shaped opening guides waste into the inner liner and is also an elementary part of the fire protection (patented and certified).

Safety: The galvanized inner liner is sealed by a patented system. In the event of a fire, the rising smoke gases collect below the funnel-shaped opening. The resulting gas cushion interrupts the oxygen supply and a self-extinguishing effect occurs. In addition, the construction (inner liner / outer body) minimizes the increase in temperature at, above and below the casing in the event of fire. A snap lock protects the receptacle against unauthorized access.

Handling: Quick and easy removal of the waste bag from above. The top is opened after operating the lock (1/4 turn) and can be swung backwards manually. The contents are now visible and the waste bag can be replaced.